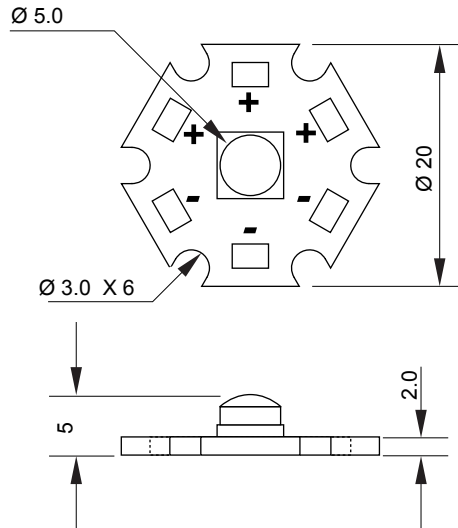


LR12W (0.5)



Absolute Maximum Rating at ($T_a=25^\circ\text{C}$)

Parameter	Symbol	Maximum Rating	Unit
Power Dissipation	Pd	0.5	W
Forward Current	I _f	130	mA
Forward Voltage	V _r	3.6	V
Operating Temperature Range	T _{opr}	- 40 °C to + 85 °C	
Storage Temperature Range	T _{stg}	- 40 °C to + 85 °C	
Solder Temperature 1/16 Inch Below Seating Plane for 3 seconds at 260°C			

* Condition for I_f is pulse of 1/10 Duty Cycle, 0.1ms Pulse Width

Electrical/Optical Characteristics at $T_a=25^\circ\text{C}$

Parameter	Symbol	Condition	Min	Typ	Max	Unit
Forward Voltage	V _f	I _f =20mA	3.0		3.6	V
Reverse Current	I _r	V _r =5V			100	uA
Dominant Wavelength	d	I _f =20mA				nm
Peak Wavelength	p	I _f =20mA				nm
Viewing Angle	2	I _f =20mA		120		dfg