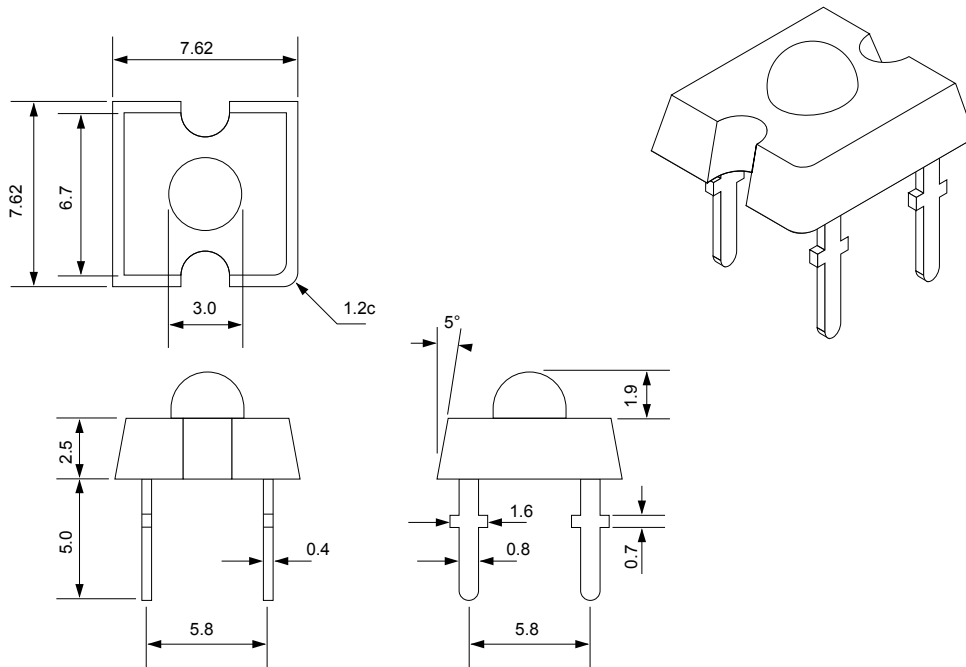


LBL76FC-U



Unit: mm

| | | | |
|------|------------------|-----------|-------------|
| Dice | Yellow (GaAsP) | Lens Type | Water Clear |
|------|------------------|-----------|-------------|

Absolute Maximum Rating at (Ta=25°C)

| Parameter | Symbol | Maximum Rating | Unit |
|---|--------|--------------------|------|
| Power Dissipation | Pd | 50 | mW |
| Forward Current | If | 20 | mA |
| Peak Forward Current Per chip * | Ifp | 100 | mA |
| Operating Temperature Range | Topt | - 25 °C to + 80 °C | |
| Storage Temperature Range | Tstg | - 5 °C to + 45 °C | |
| Solder Temperature 1/16 Inch Below Seating Plane for 5 seconds at 260°C | | | |

* Condition for Ifp is pulse of 1/10 Duty Cycle, 0.1ms Pulse Width

Electrical/Optical Characteristics at Ta=25°C

| Parameter | Symbol | Condition | Min | Typ | Max | Unit |
|--------------------|--------|-----------|-----|-----|-----|------|
| Forward Voltage | Vf | If=20mA | 1.8 | 2.2 | 2.6 | V |
| Reverse Current | Ir | Vr=5V | | | 20 | uA |
| Luminous Intensity | Iv | If=20mA | 350 | 550 | | mcd |
| Prpcp Wavelength | | If=20mA | 603 | | 608 | nm |
| | | If=20mA | | | | nm |
| Half View Angle | 2 | If=20mA | | 50 | | deg |