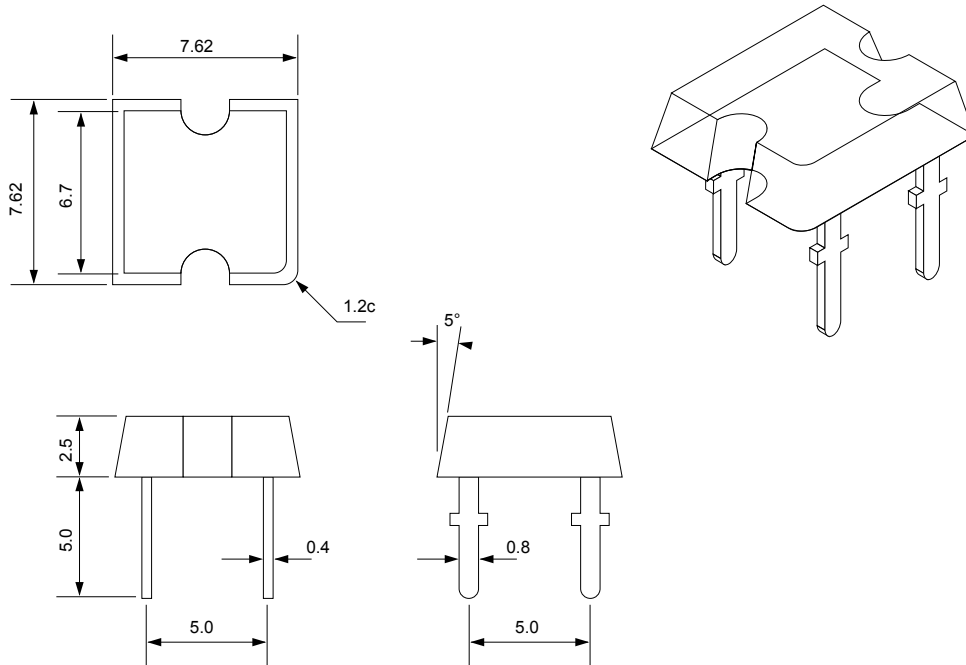


LBL75BUC 120VA



Unit: mm

- * Blue Color Dice.
- * Encapsulated with Water Clear Package.

Absolute Maximum Ratings.

| Parameter | Symbol | Maximum Rating | Unit |
|-----------------------------|------------------|---------------------|------|
| Power Dissipation | Pd | 40 | mW |
| Peak Forward Current | I _{fp} | 160 | mA |
| Continuous Forward Current | I _f | 20 | mA |
| Operating Temperature Range | T _{opr} | -25°C to +80°C | |
| Storage Temperature Range | T _{stg} | -40°C to +80°C | |
| Lead Soldering Temperature | T _{stg} | 260°C for 5 seconds | |

* IFP Conditions: Pulse width ≤ 10 msec duty $\leq 1/10$ * Tsol Conditions: 3mm from the base of the epoxy bulb.

Electro-Optical Characterure (Ta=25°C)

| Parameter Radiant | Test Condition | Symbol | Min. | Typ. | Max. | Unit |
|--------------------|----------------------|----------------|------|------|------|------|
| Forward Voltage | I _f =20mA | V _f | | 3.2 | 3.8 | V |
| Reverse Current | V _r =5V | I _r | | | 10 | uA |
| Luminous Intensity | I _f =20mA | I _v | | 550 | | mcd |
| Spectral Bandwidth | I _f =20mA | | | | | nm |
| Wavelength | I _f =20mA | p | | 470 | | nm |
| | | d | | | | nm |
| Half View Angle | I _f =20mA | 2 1/2 | | 120 | | deg |

1. Absolute maximum ratings Ta=25°C

2. Tolerance of measurement of forward voltage $\pm 0.1V$

3. Tolerance of measurement of peak Wavelength $\pm 2.0nm$

4. Tolerance of measurement of luminous intensity $\pm 15\%$