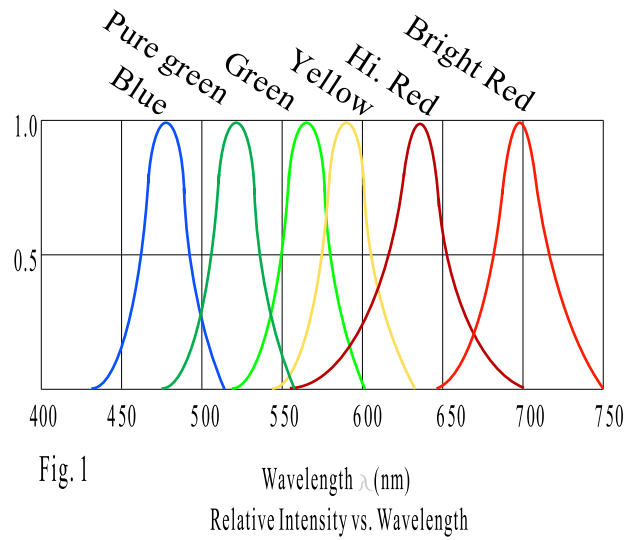
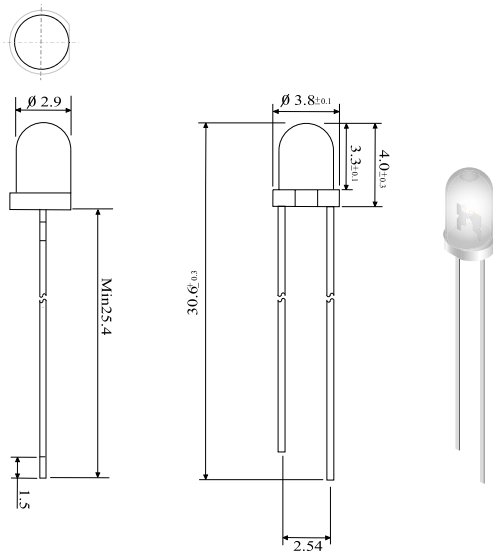


# LightBo

## 3mm Through Hole Lamps

LBL037



Part no.	Colour	Wave Length	Lens Color (x)	Luminous Intensity (mcd)	Forward Voltage ( V )	Forward Current ( mA )	0°
LBL037DxI	Red	632		500	2.15	20	30
LBL037CxI	Red	632		1500	2.15	20	30
LBL037AxI-S	Red	632		2500	2.15	20	30
LBL037AxI-U	Red	632		5800	2.15	20	30
LBL037AxI-T	Red	632		7800	2.15	20	30
LBL037KxI	Green	565		500	2.15	20	30
LBL037JxI	Green	565		1500	2.15	20	30
LBL037JxI-S	Green	565		2500	2.15	20	30
LBL037JxI-U	Green	565		6000	3.60	20	30
LBL037IxI	Yellow	589		1300	2.15	20	30
LBL037IxI-S	Yellow	589		2500	2.15	20	30
LBL037IxI-U	Yellow	589		4500	2.15	20	30
LBL037IxI-T	Yellow	589	W - White	7500	2.15	20	30
LBL037Fxi	Orange	621	D - Diffused	1500	2.30	20	30
LBL037Fxi-S	Orange	621	C - Water Clear	2500	2.30	20	30
LBL037Fxi-U	Orange	621	T - Transparent	3500	2.30	20	30
LBL037BGxI	Blue / Green	503		3500	3.60	20	30
LBL037BGxI-U	Blue / Green	503		6500	3.60	20	30
LBL037BLxI	Blue	470		500	3.60	20	30
LBL037BHxI	Blue	470		1600	3.60	20	30
LBL037BUxI	Blue	470		3500	3.60	20	30
LBL037PGxI	Pure Green	525		2500	3.60	20	30
LBL037PGxI-S	Pure Green	525		4000	3.60	20	30
LBL037PGxI-U	Pure Green	525		5500	3.60	20	30
LBL037PGxI-T	Pure Green	525		7500	3.60	20	30
LBL037WHxI	White	589		1300	3.60	20	30
LBL037WUxI	White	----		5200	3.60	20	30