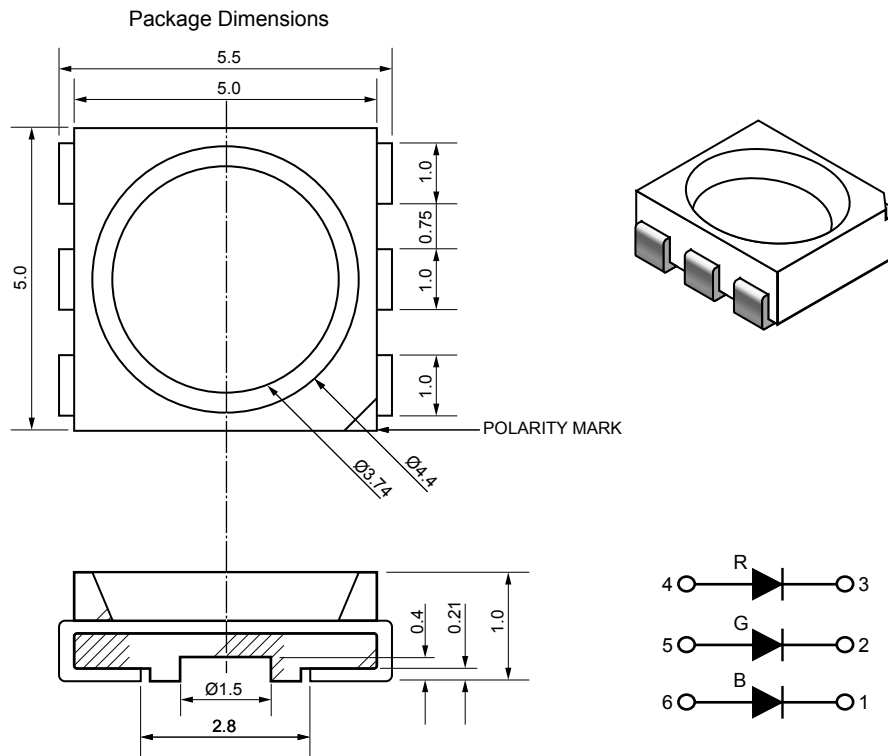


LBD314RGBC



Dice	Red (InGaAlP) Green (GaP) Blue (GaN)	Lens Type	Water Clear
------	--	-----------	-------------

Absolute Maximum Rating at (Ta=25°C)

Parameter	Symbol	Red	Green	Blue	Unit
Power Dissipation	Pd	70	90	110	mW
Forward Current	If	30	25	30	mA
Peak Forward Current Per chip *	I _{fp}	160	150	160	mA
Operating Temperature Range	Topr	- 40 °C to + 85 °C			
Storage Temperature Range	Tstg	- 40 °C to + 85 °C			
Solder Temperature 1/16 Inch Below Seating Plane for 3 seconds at 260 °C					

* Condition for I_{fp} is pulse of 1/10 Duty Cycle, 0.1ms Pulse Width

Electrical/Optical Characteristics at Ta=25°C

Parameter	Symbol	Condition	Red		Green		Blue		Unit
			Min	Typ	Max	Min	Typ	Max	
Forward Voltage	V _f	I _f =20mA	1.6	1.9	3.0	3.2	3.0	3.2	V
Reverse Current	I _r	V _r =5V		5		5		5	uA
Luminous Intensity	I _v	I _f =20mA	160	250	460	650	90	150	mcd
Spectrum Width of Half Value		I _f =20mA							nm
Wavelength	d	I _f =20mA	621	624	515	518	464	468	nm
Viewing Angle	2		100						0°