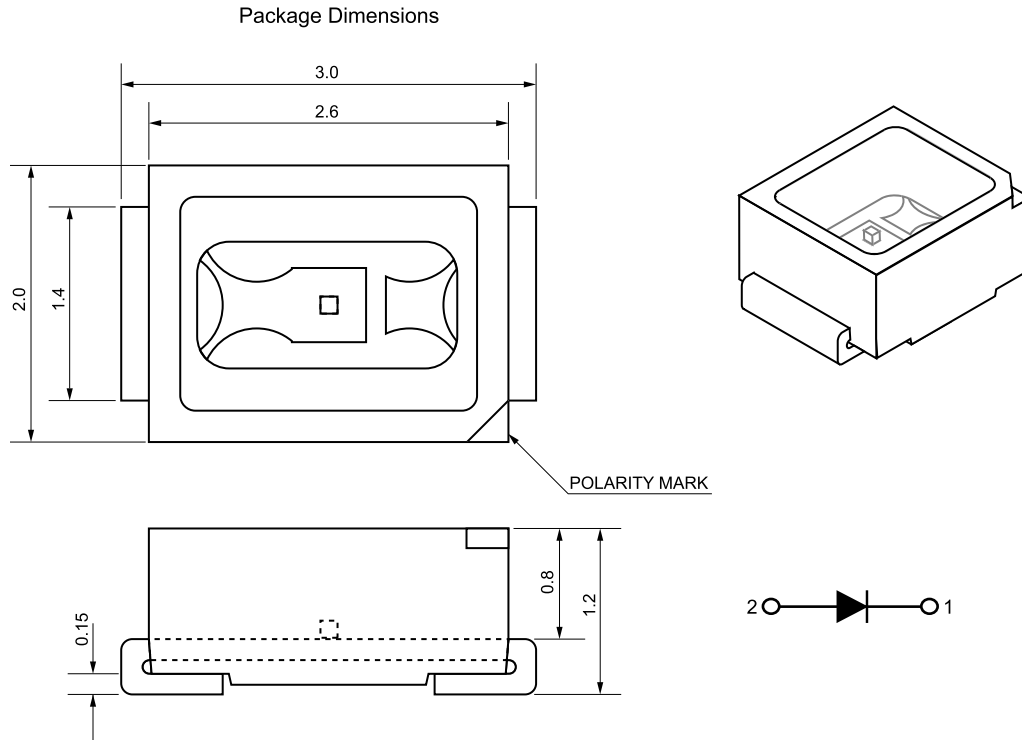


### LBD313IC



|      |                    |           |             |
|------|--------------------|-----------|-------------|
| Dice | Yellow (GaAsP/GaP) | Lens Type | Water Clear |
|------|--------------------|-----------|-------------|

Absolute Maximum Rating at (Ta=25°C)

| Parameter   | Symbol | Maximum Rating     | Unit |
|---|--------|--------------------|------|
| Power Dissipation   | Pd     | 70                 | mW   |
| Forward Current   | If     | 30                 | mA   |
| Peak Forward Current Per chip *   | Ifp    | 160                | mA   |
| Operating Temperature Range   | Topr   | - 40 °C to + 85 °C |      |
| Storage Temperature Range   | Tstg   | - 40 °C to + 85 °C |      |
| Solder Temperature 1/16 Inch Below Seating Plane for 3 seconds at 260°C |        |                    |      |

\* Condition for Ifp is pulse of 1/10 Duty Cycle, 0.1ms Pulse Width

Electrical/Optical Characteristics at Ta=25°C

| Parameter                    | Symbol | Condition | Min | Typ | Max | Unit |
|------------------------------|--------|-----------|-----|-----|-----|------|
| Forward Voltage              | Vf     | If=20mA   | 1.6 | 1.9 |     | V    |
| Reverse Current              | Ir     | Vr=5V     |     |     | 5   | uA   |
| Luminous Intensity           | Iv     | If=20mA   | 50  | 120 |     | mcd  |
| Spectrum Width of Half Value |        | If=20mA   |     |     |     | nm   |
| Wavelength                   | d      | If=20mA   |     | 593 |     | nm   |
| Viewing Angle                | 2      |           |     | 120 |     | 0°   |