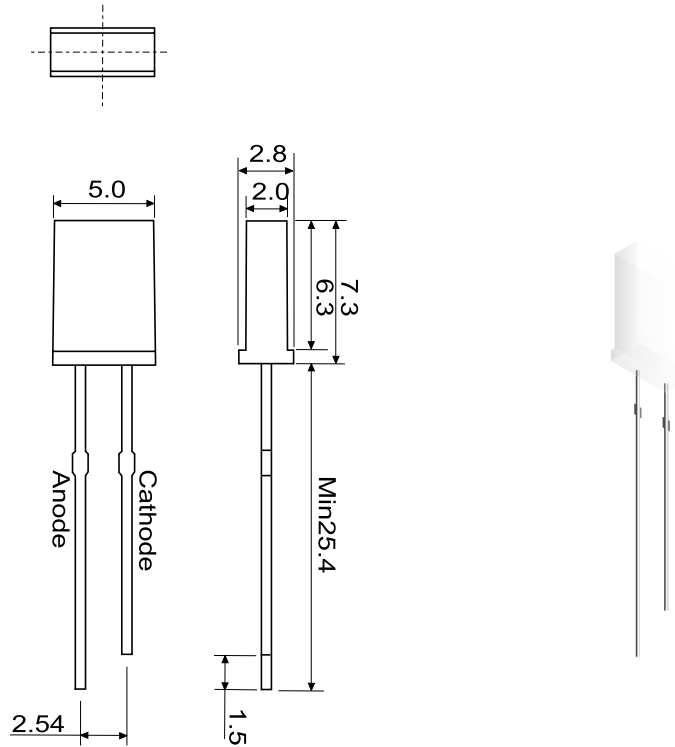


# LightBo

## 2mm x 5mm Rectangular Lamps

L BL 0250xx2



Part no.	Colour	Wave Length	Lens Color (x)	Luminous Intensity (mcd)	Forward Voltage ( V )	Forward Current ( mA )	0°
L BL 0250DKxl-2	Red	632		500	2.15	20	30
	Green	565		500	2.15	20	30
L BL 0250CJxl-2	Red	632		1500	2.15	20	30
	Green	565		1500	2.15	20	30
L BL 0250AJxl-2	Red	632		2500	2.15	20	30
	Green	565		2500	2.15	20	30
L BL 0250CIxl-2	Red	632	W- White	1500	2.15	20	30
	Yellow	589	C - Water Clear	1300	2.15	20	30
L BL 0250AIxl-2	Red	632		2500	2.15	20	30
	Yellow	589		2500	2.15	20	30
L BL 0250CBHxl-2	Red	632		1500	2.15	20	30
	Blue	470		1600	3.60	20	30
L BL 0250ABUxl-2	Red	632		2500	2.15	20	30
	Blue	470		3500	3.60	20	30